

MixRite DOSING PUMPS

3.5 m³/h

Tefen's MixRite line of water driven proportional dosing pumps, are used to ensure precise additive injection directly into the water or fluid line under various flow rates, feed ratios and different ranges of pressure.

MixRite 3.5 Series

Available options

Manual ON/OFF Hydraulic ON/OFF Electric ON/OFF

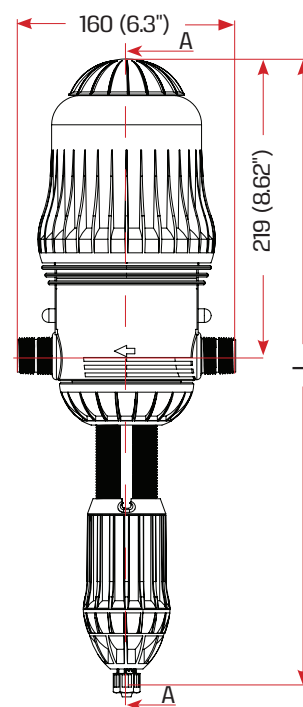


Features

- Mixes additive and water precisely
- The dosage can be adjusted easily and quickly
- Repair is simple and inexpensive
- Key internal parts are from the highest quality material available (hastelloy spring, Viton Rubber seal)

Technical Information

Water pressure	0.2 - 8 bar (2.9 - 120 psi)
Flow Rate	10 - 3500 l/h (265 - 930) gal/h
Working temp	4-40° C (39.2-104° F)
Coupling	3/4"



		L (Height)	
		On/Off	Air Release
Max.		551 (21.7")	486 (19.1")
Min.		471 (18.5")	447 (17.6")

Application Color Code

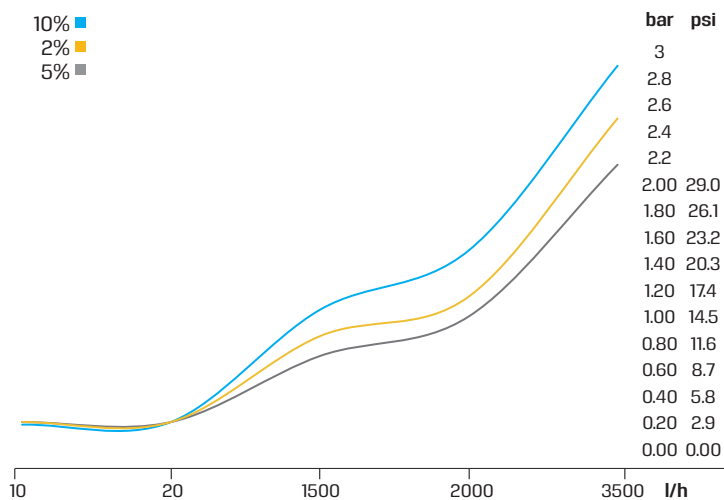
Application	Sleeve Color	TEFEN Code	Seal Material	Spring Material
Irrigation	Grey	STD	NBR	SST
Livestock	Red	PO	NBR, EPDM	SST, Hastelloy
Acids	White	PVDF	AFLAS	Hastelloy
Chlorine	Purple	CL	Viton	Hastelloy
Industry	Black	C	EPDM, AFLAS	SST, Hastelloy
Car Wash	Cyan	CW	AFLAS	SST, Hastelloy
Landscaping	Green	STD	NBR	SST



Application Range

Dosage Rate %	Applications	Flow Rate Range	Pressure Range	Dosage Rate	Connectors Dia. Thread	Min-Max Injection Rate Per Hour	Gross weight std unit
0.03% - 0.2%	Water Treatment / Chlorine	10-3500 l/h 0.04 to 15.5 gpm	0.2-8 bar 2.9-120 psi	1:3333 - 1:500	3/4" BSPT	0.003 -7 l/h 1.85gph	1.9 KG 4.19 lbs
0.1%-0.9%	Irrigation / Livestock / Car Wash	10-3500 l/h 0.04 to 15.5 gpm	0.2-8 bar 2.9-120 psi	1:1000 - 1:111	3/4" BSPT	0.01 -31.5 l/h 0.003 -8.32gph	1.9 KG 4.19 lbs
0.3%-2%	Irrigation / Livestock / Car Wash	10-3500 l/h 0.04 to 15.5 gpm	0.2-8 bar 2.9-120 psi	1:333 - 1:50	3/4" BSPT	0.03 - 70 l/h 0.008 -18.5gph	1.9 KG 4.19 lbs
0.5%-5%	Irrigation / Livestock / Car Wash	10-3500 l/h 0.04 to 15.5 gpm	0.2-8 bar 2.9-120 psi	1:200 - 1:20	3/4" BSPT	0.05 - 175 l/h 0.013 -46.23gph	1.9 KG 4.19 lbs
1%-10%	Irrigation / Livestock / Car Wash	50-3500 l/h 0.22 - 15.5gpm	0.2-8 bar 2.9-120 psi	1:100 - 1:10	3/4" BSPT	0.5 - 350 l/h 0.132 - 95.592.5gph	3.0 KG 6.61 lbs

Pressure Loss



Max. injection rate/h

